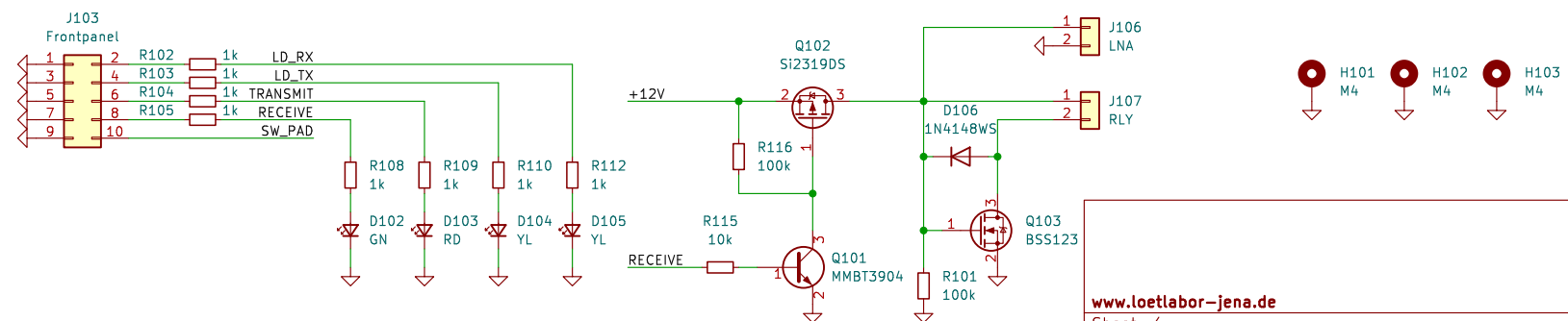
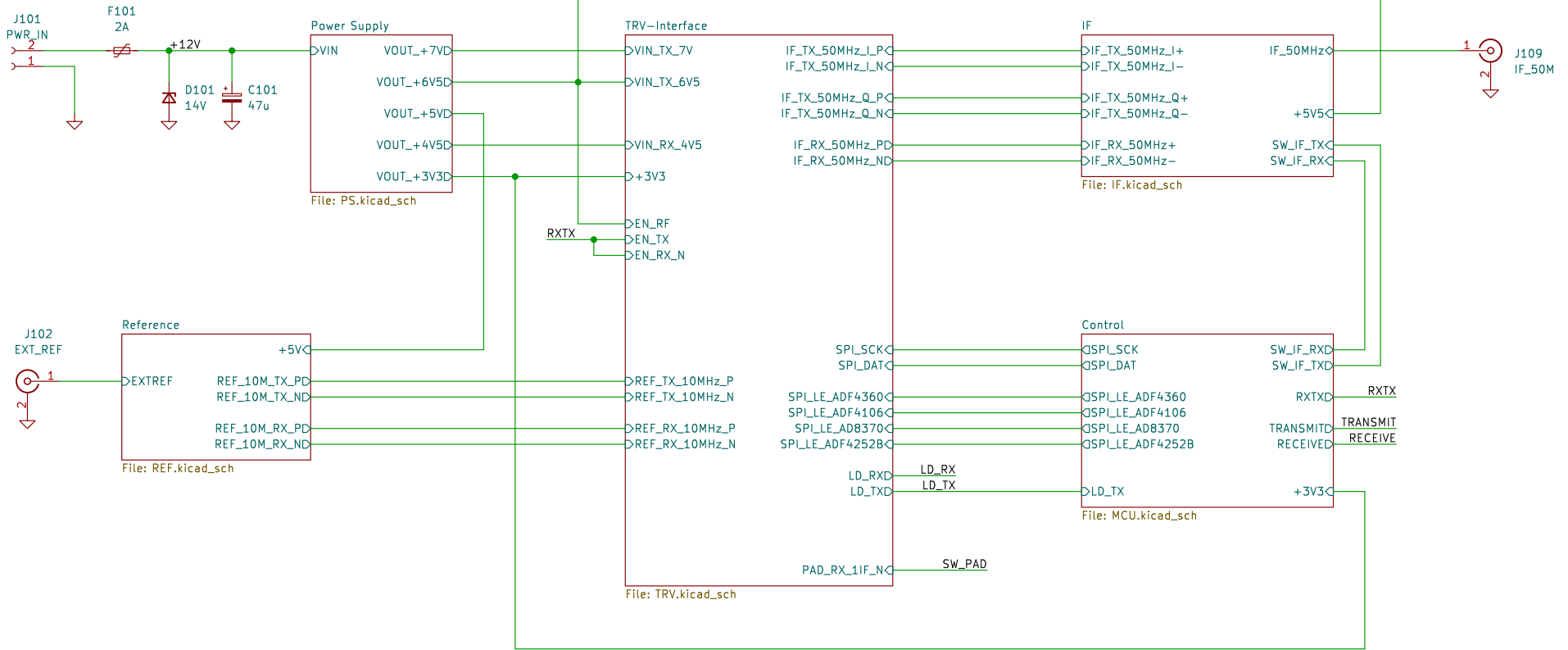


10..13.8 V
I=1.8A@12V



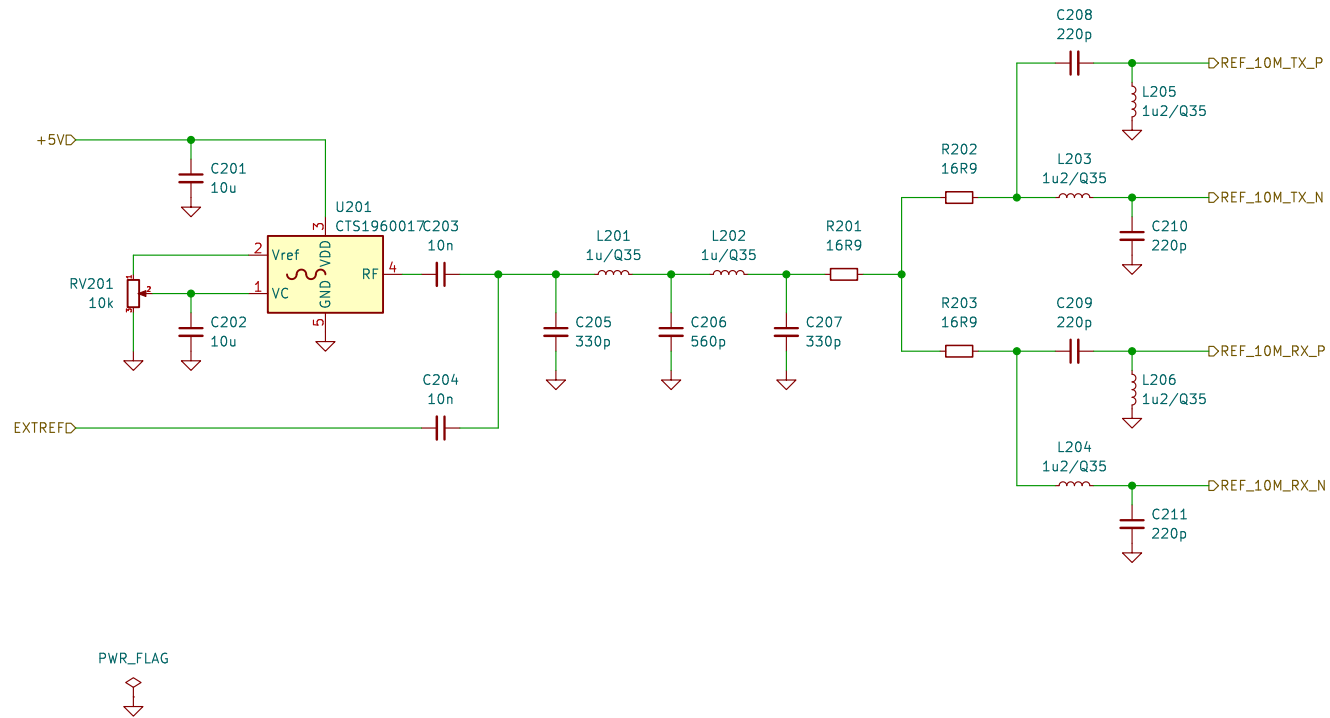
note: use TE 640440-2 and 640637-3 with J106/107

www.loetlabor-jena.de

Sheet: /
File: 10g_cambridge.kicad_sch

Title: Cambridge 10 GHz Transverter

Size: A4	Date: 2021-09-21	Rev: 0
KiCad E.D.A. kicad (6.99.0-1033-g0cc47d98f5)		Id: 1/6

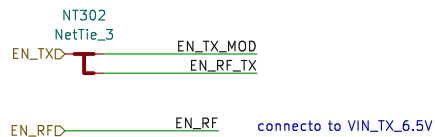
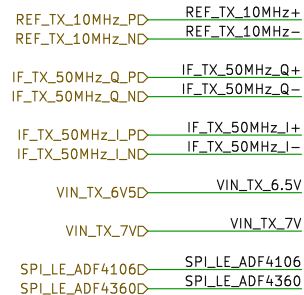
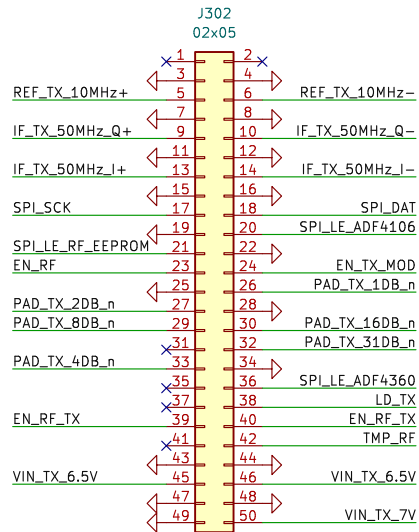
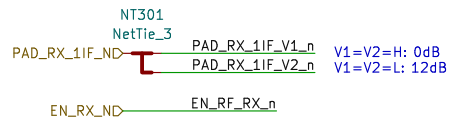
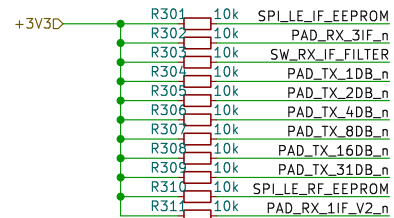
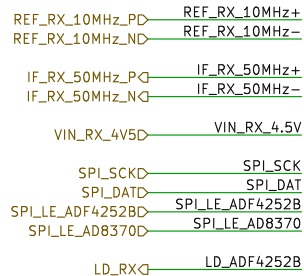
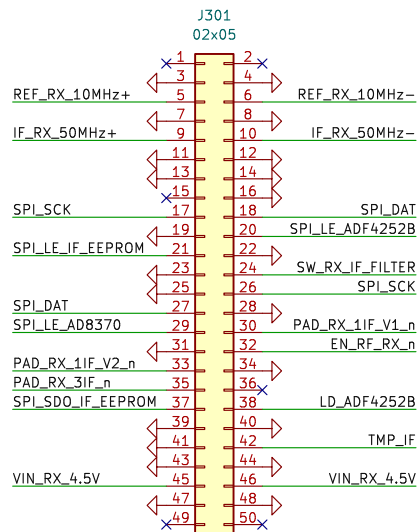


Sheet: /Reference/
 File: REF.kicad_sch

Title:

Size: A4 Date:
 KiCad E.D.A. kicad (6.99.0-1033-g0cc47d98f5)

Rev:
 Id: 3/6

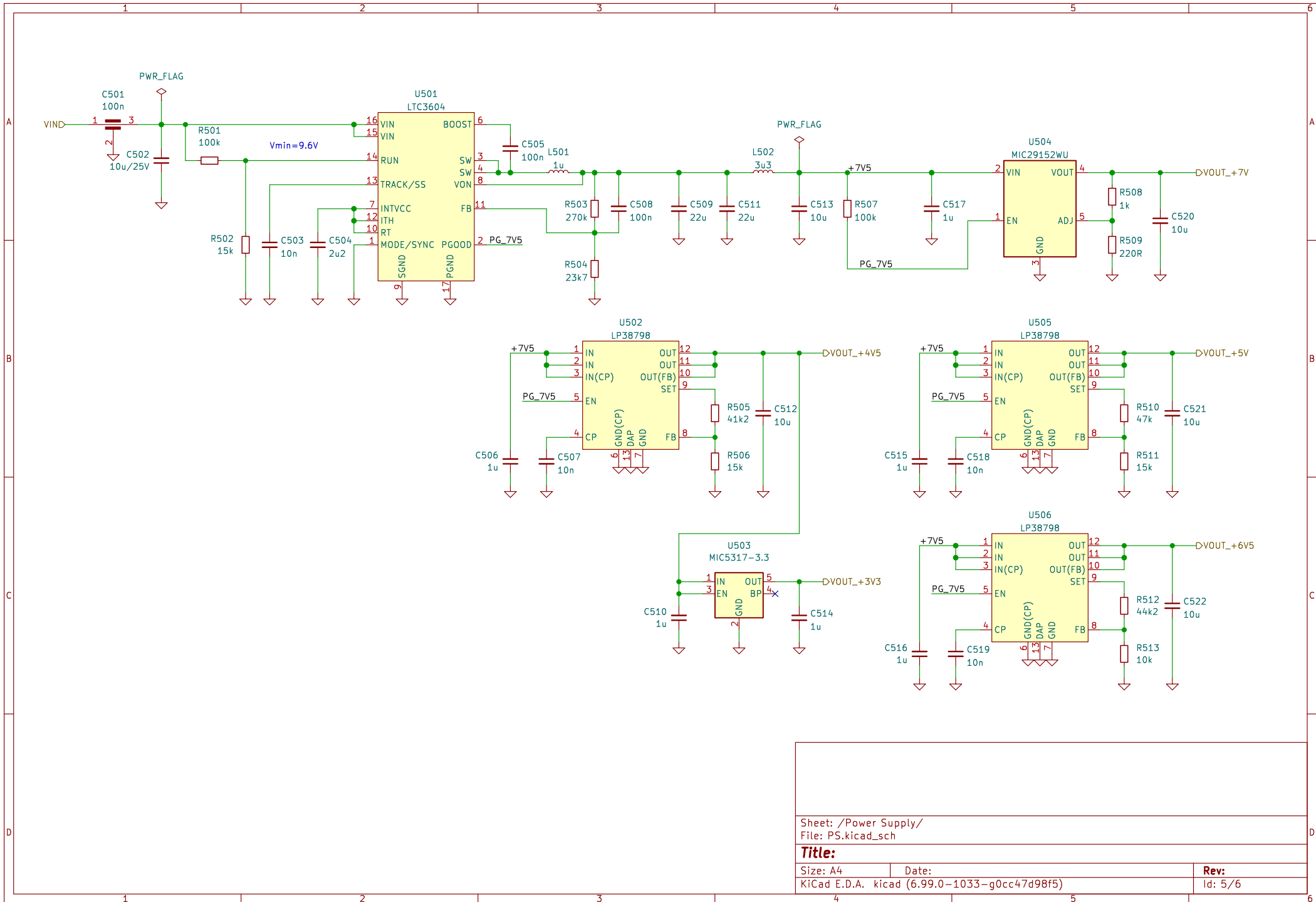


Sheet: /TRV-Interface/
File: TRV.kicad_sch

Title:

Size: A4
KiCad E.D.A. kicad (6.99.0-1033-g0cc47d98f5)

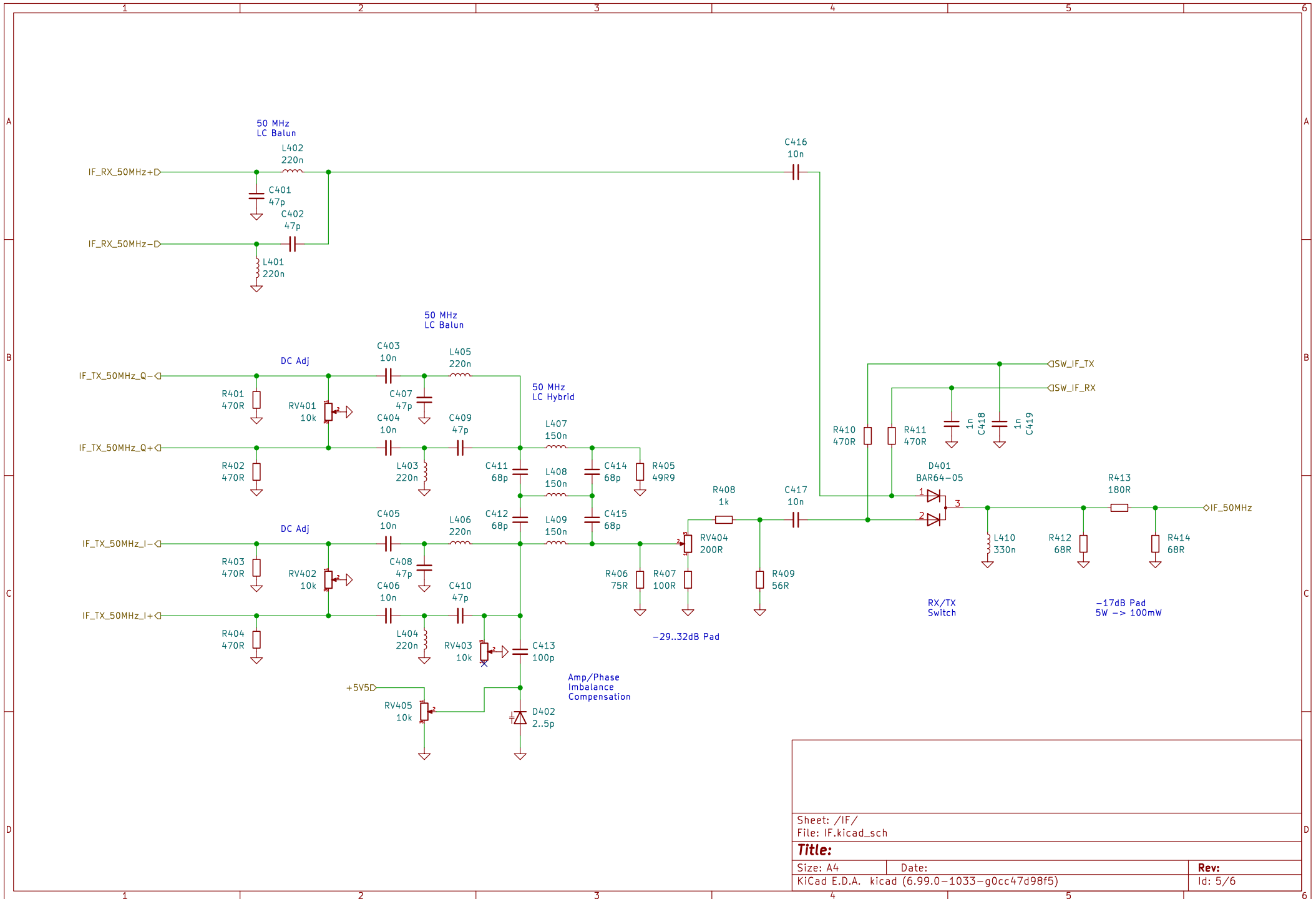
Date:
Rev:
Id: 4/6



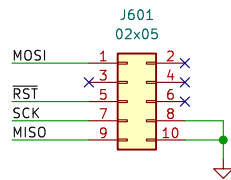
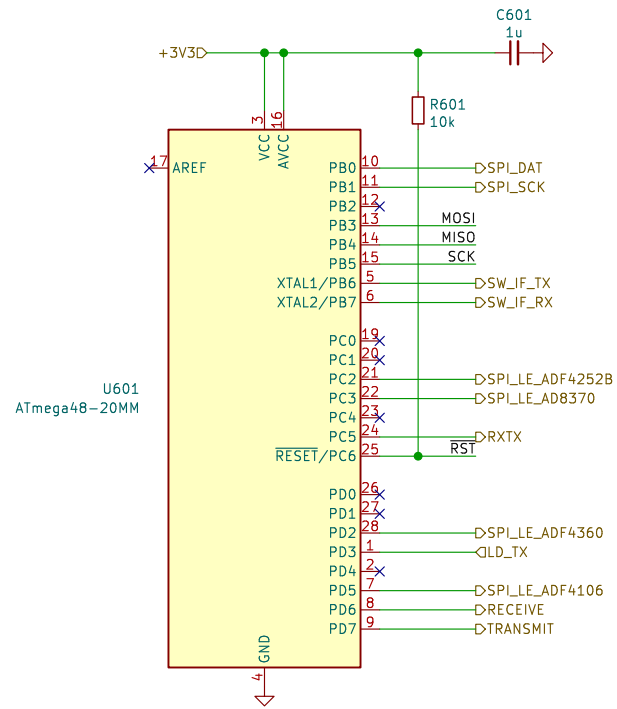
Sheet: /Power Supply/
 File: PS.kicad_sch

Title:

Size: A4	Date:	Rev:
KiCad E.D.A. kicad (6.99.0-1033-g0cc47d98f5)		Id: 5/6



Sheet: /IF/		File: IF.kicad_sch	
Title:			
Size: A4	Date:	Rev:	
KiCad E.D.A. kicad (6.99.0-1033-g0cc47d98f5)		Id: 5/6	



Sheet: /Control/
File: MCU.kicad_sch

Title:

Size: A4 Date:
KiCad E.D.A. kicad (6.99.0-1033-g0cc47d98f5)

Rev:
Id: 6/6