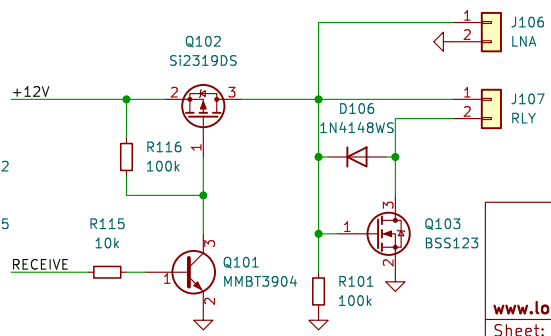
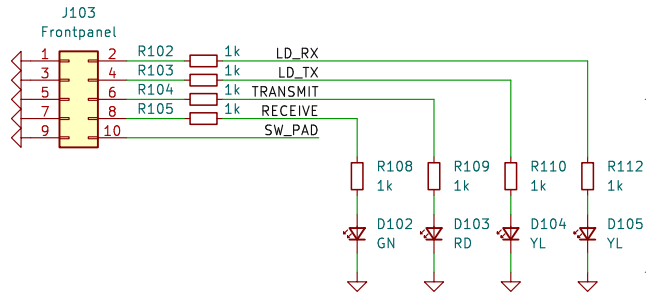
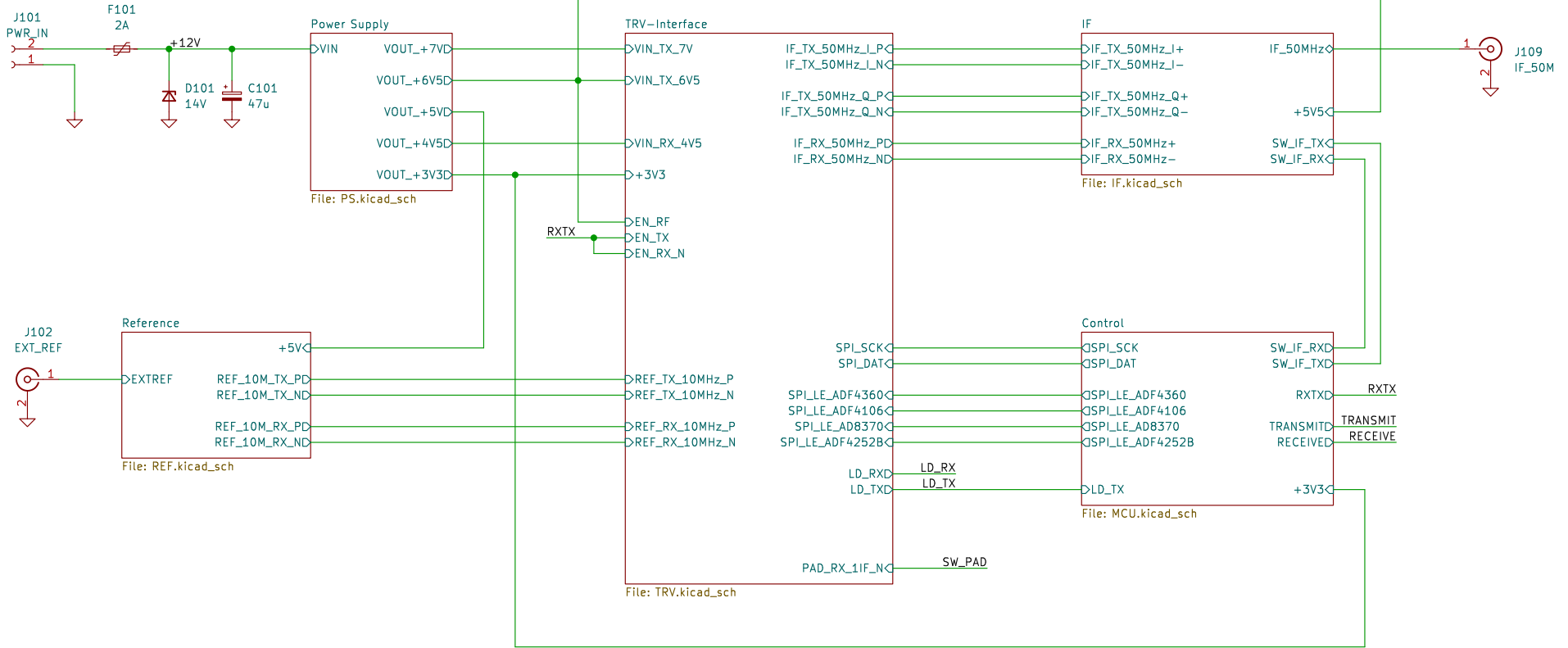


10..13.8 V  
I=1.8A@12V



note: use TE 640440-2 and 640637-3 with J106/107

[www.loetlabor-jena.de](http://www.loetlabor-jena.de)

Sheet: /  
File: 10g\_cambridge.kicad\_sch

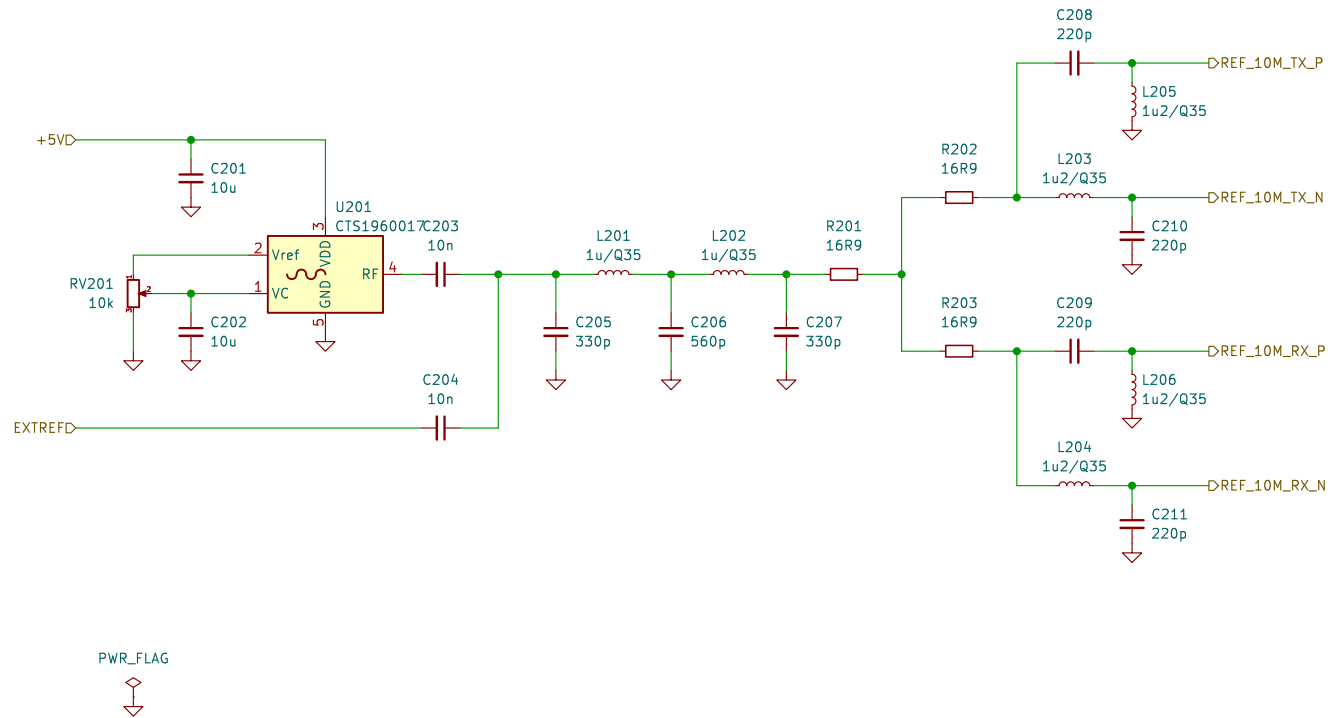
**Title: Cambridge 10 GHz Transverter**

Size: A4 Date: 2021-09-21

KiCad E.D.A. kicad (6.99.0-1033-g0cc47d98f5)

Rev: 0

Id: 1/6



www.loetlabor-jena.de

Sheet: /Reference/  
File: REF.kicad\_sch

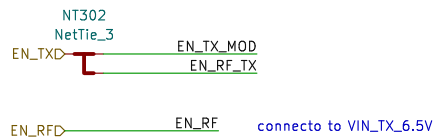
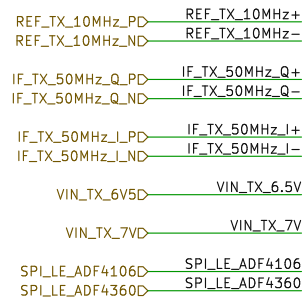
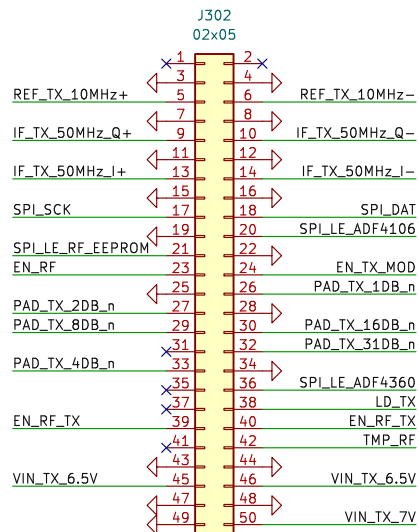
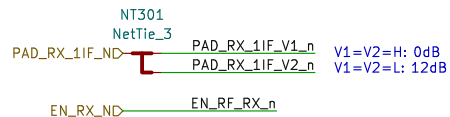
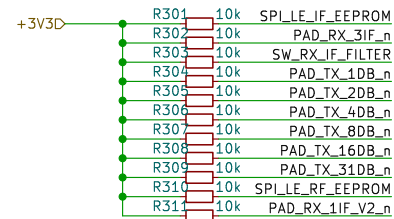
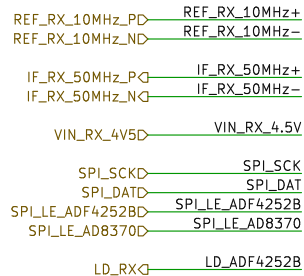
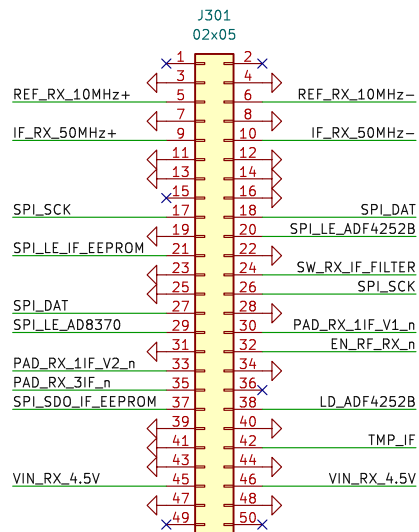
**Title: Cambridge 10 GHz Transverter**

Size: A4 Date: 2021-09-21

KiCad E.D.A. kicad (6.99.0-1033-g0cc47d98f5)

Rev: 0

Id: 3/6



www.loetlabor-jena.de

Sheet: /TRV-Interface/

File: TRV.kicad\_sch

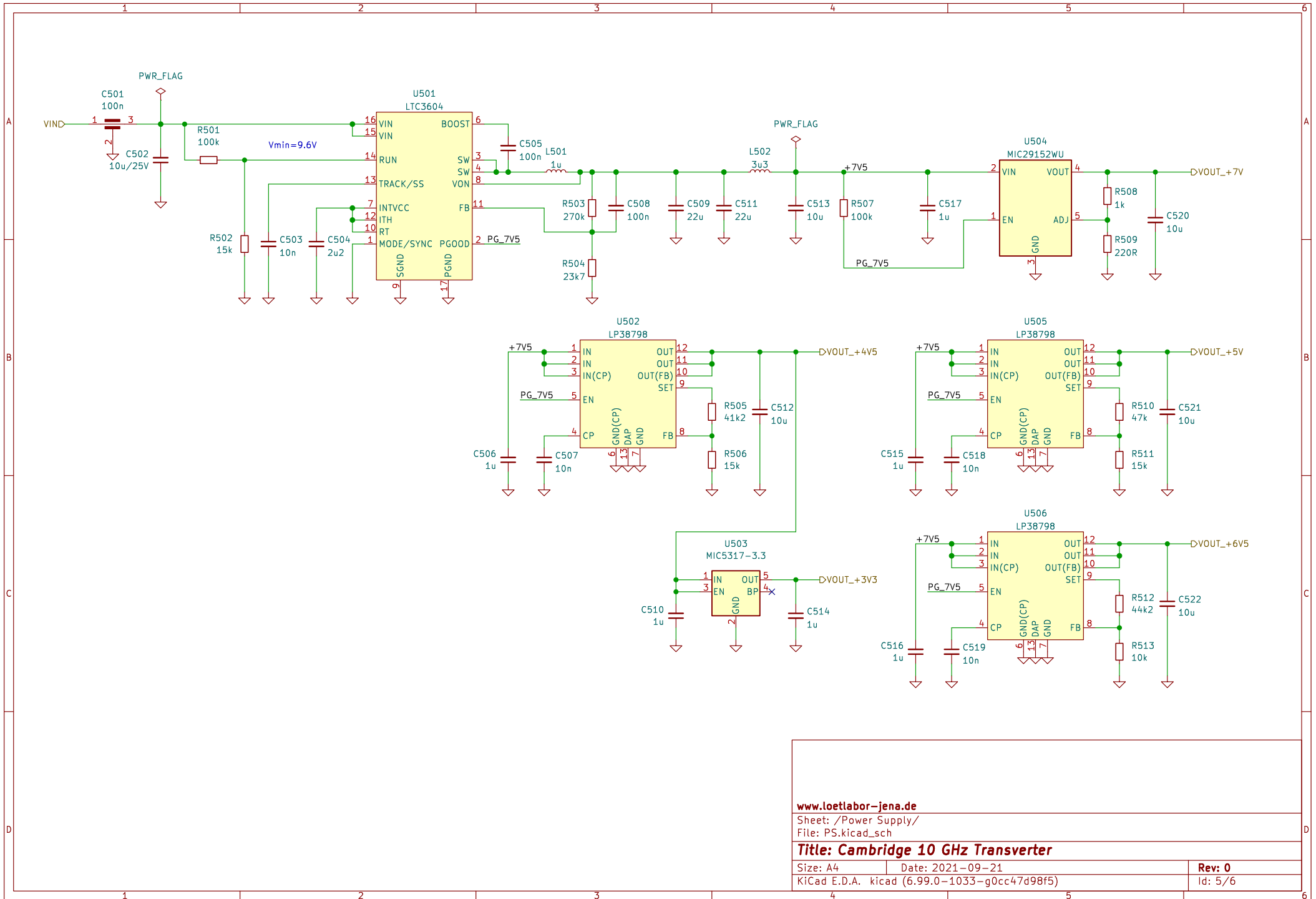
**Title: Cambridge 10 GHz Transverter**

Size: A4 Date: 2021-09-21

KiCad E.D.A. kicad (6.99.0-1033-g0cc47d98f5)

Rev: 0

Id: 4/6



www.loetlabor-jena.de

Sheet: /Power Supply/  
File: PS.kicad\_sch

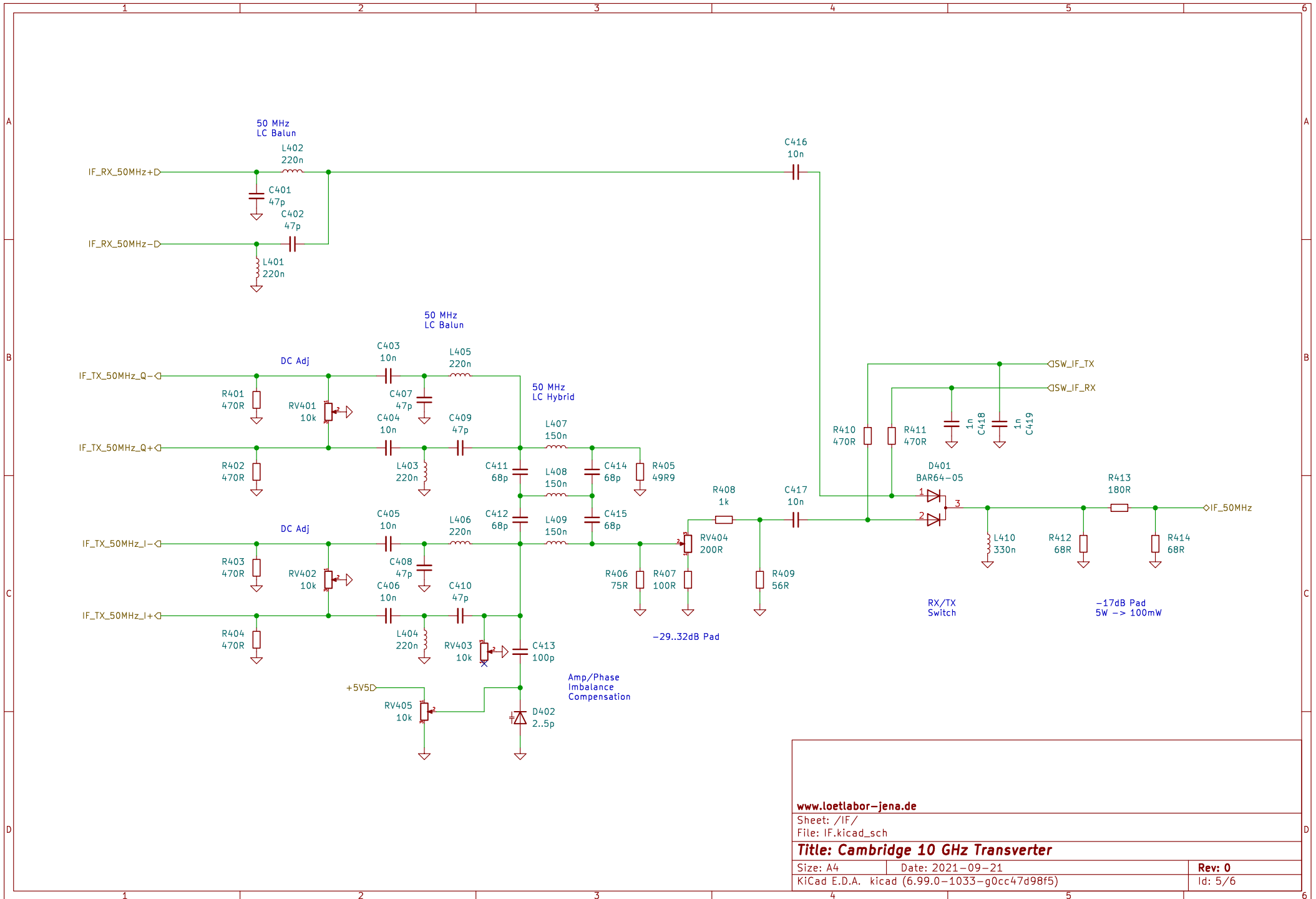
**Title: Cambridge 10 GHz Transverter**

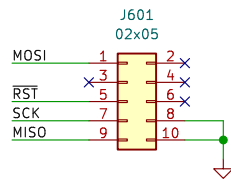
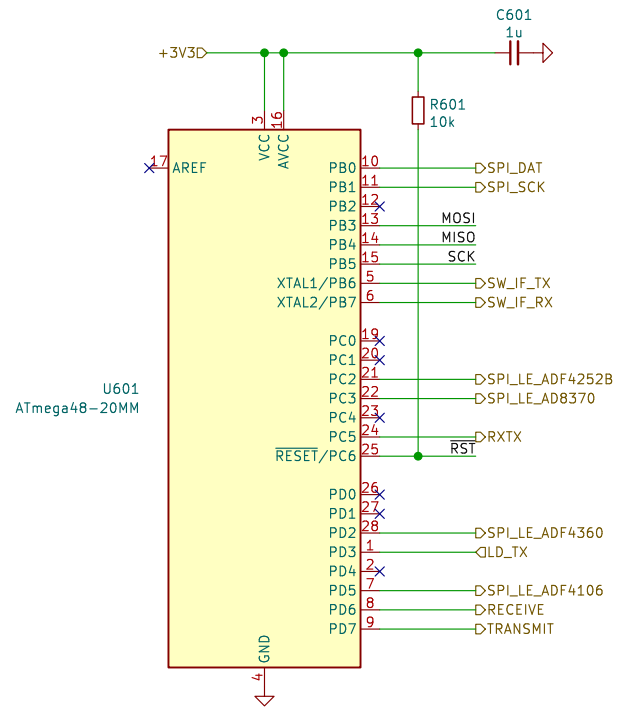
Size: A4 Date: 2021-09-21

KiCad E.D.A. kicad (6.99.0-1033-g0cc47d98f5)

Rev: 0

Id: 5/6





[www.loetlabor-jena.de](http://www.loetlabor-jena.de)

Sheet: /Control/  
File: MCU.kicad\_sch

**Title: Cambridge 10 GHz Transverter**

Size: A4 Date: 2021-09-21

KiCad E.D.A. kicad (6.99.0-1033-g0cc47d98f5)

Rev: 0

Id: 6/6