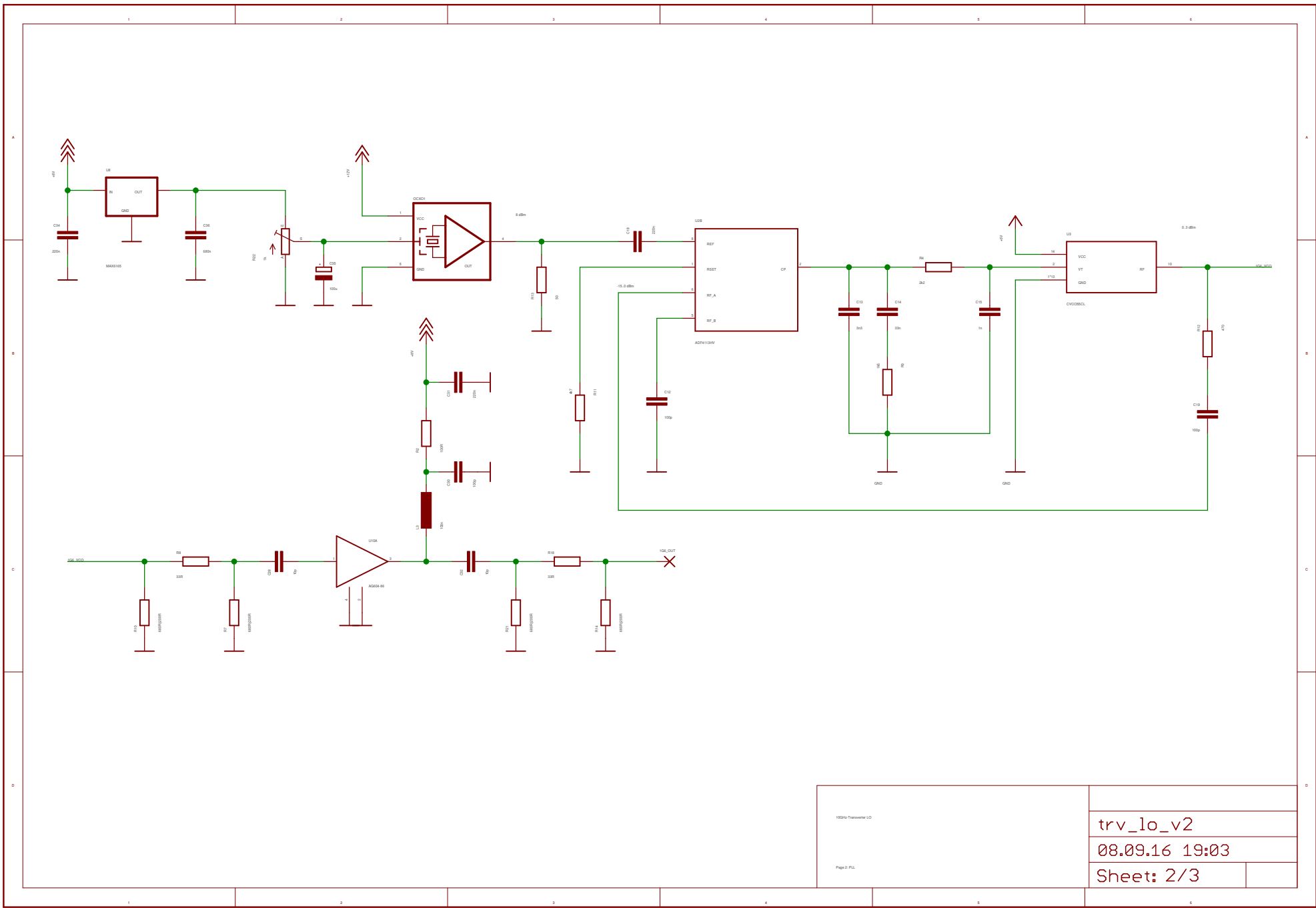
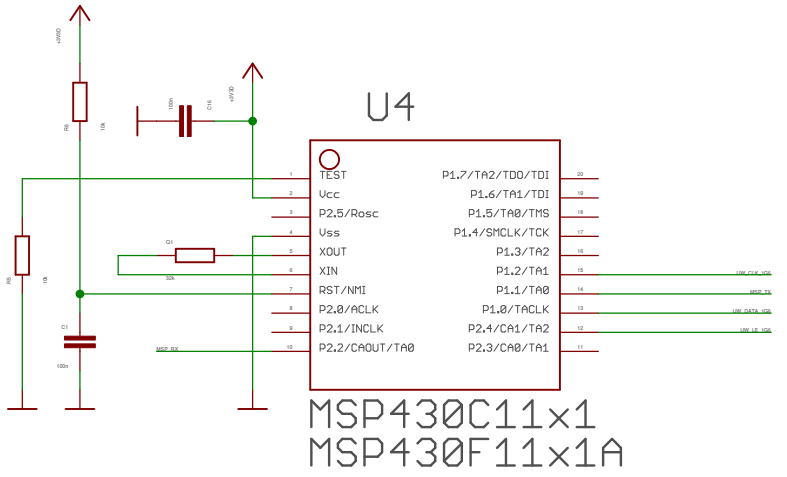
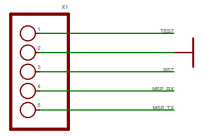
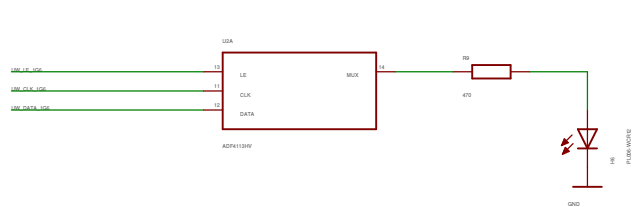


1000µA Transceiver LED	trv_lo_v2
Page 1 Supply	08.09.16 19:03
	Sheet: 1/3



100MHz Transceiver LO
 Page 2 P/L

trv_lo_v2	
08.09.16 19:03	
Sheet: 2/3	



10201a-Transceiver-LO	trv_lo_v2
Page 3: Digital	08.09.16 19:03
	Sheet: 3/3