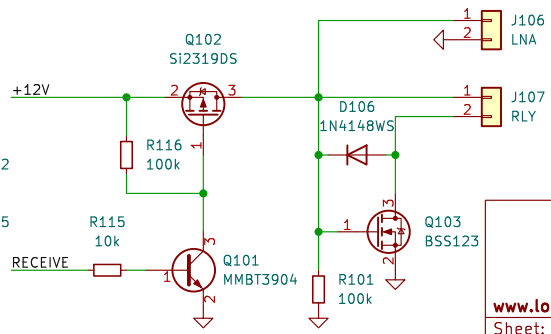
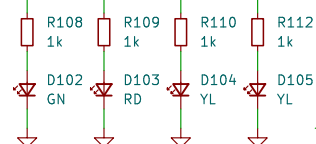
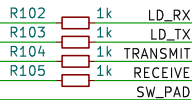
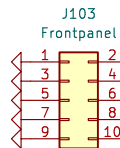
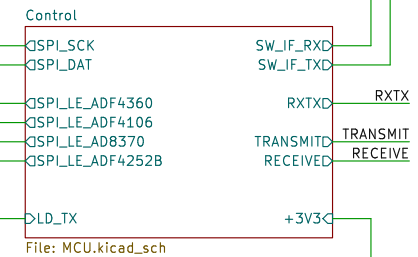
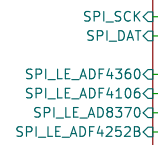
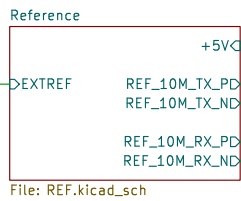
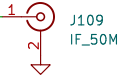
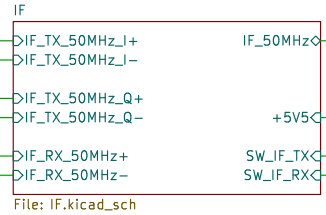
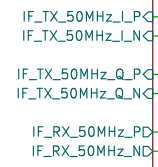
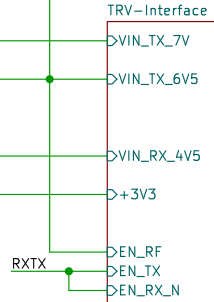
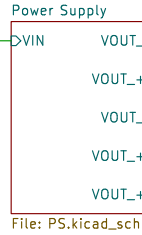
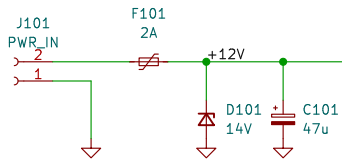
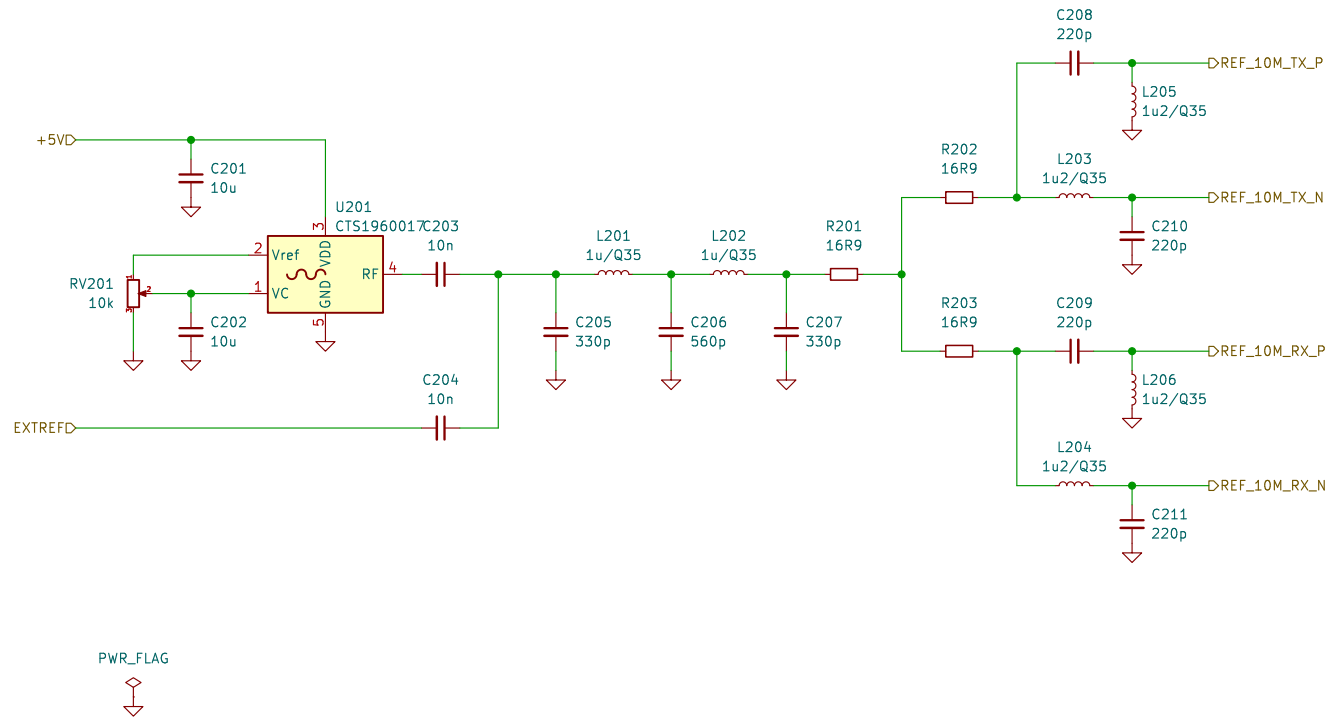


10..13.8 V  
I?



note: use TE 640440-2 and 640637-3 with J106/107

[www.loetlabor-jena.de](http://www.loetlabor-jena.de)  
 Sheet: /  
 File: 10g\_cambridge.kicad\_sch  
**Title: Cambridge 10 GHz Transverter**  
 Size: A4 Date: 2021-09-21  
 KiCad E.D.A. kicad (6.99.0-1033-g0cc47d98f5) Rev: 0  
 Id: 1/6

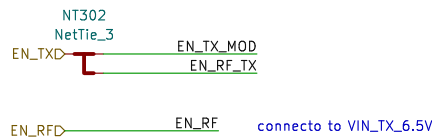
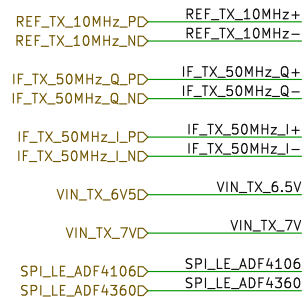
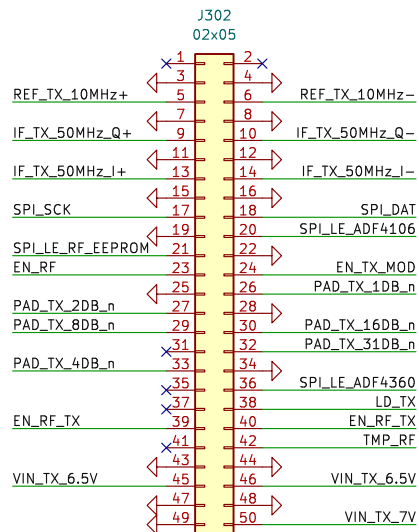
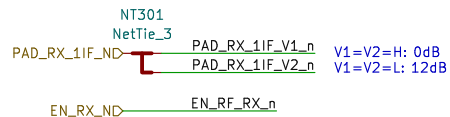
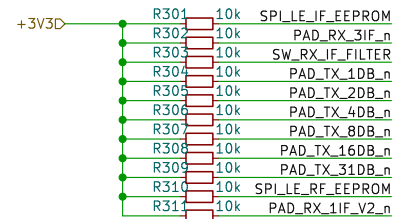
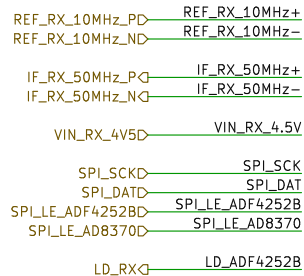
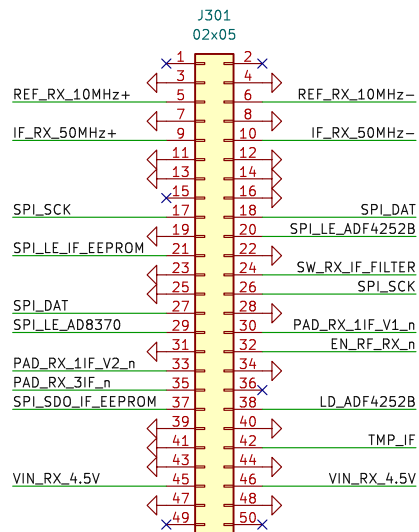


Sheet: /Reference/  
 File: REF.kicad\_sch

**Title:**

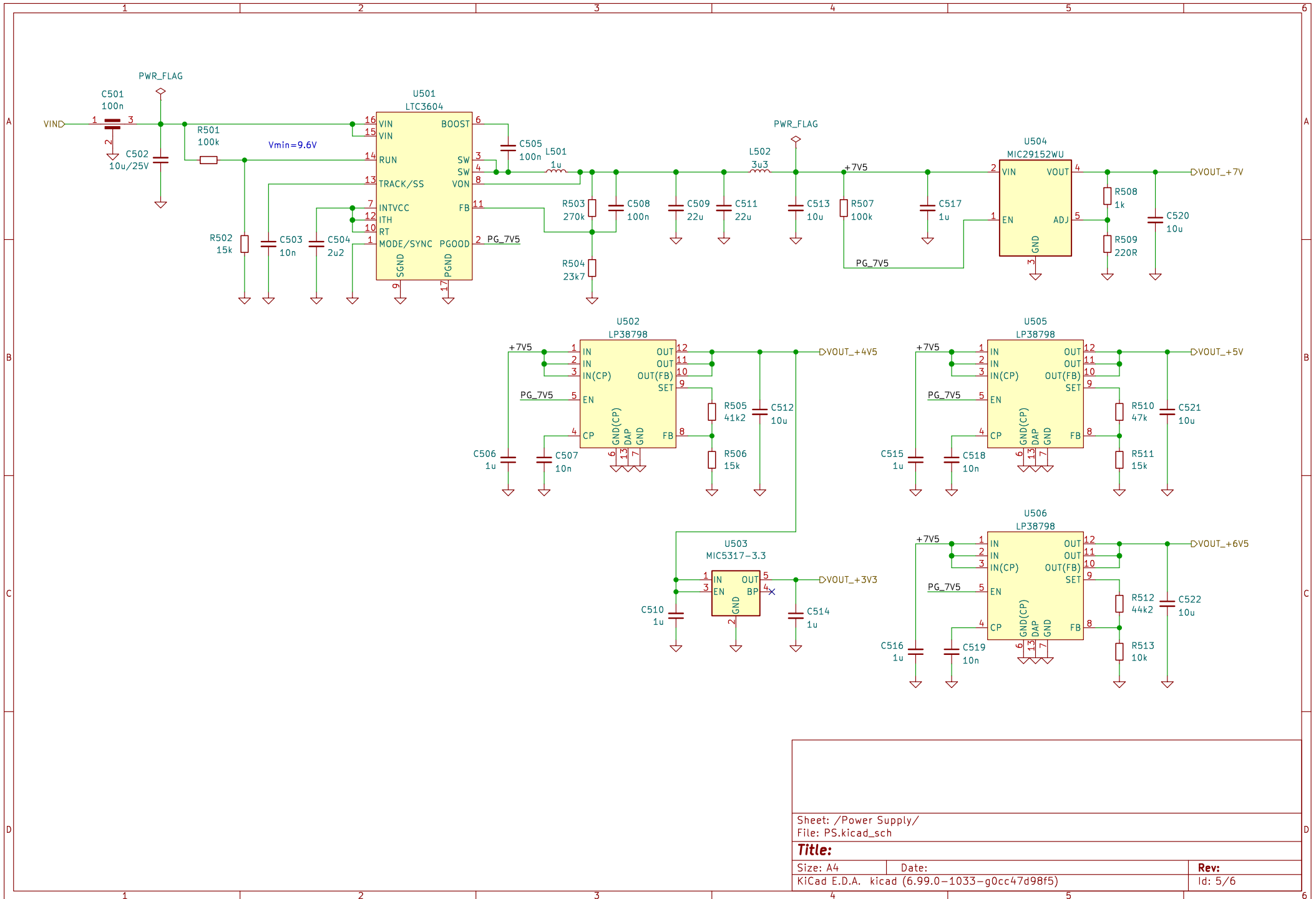
Size: A4 Date: KiCad E.D.A. kicad (6.99.0-1033-g0cc47d98f5)

Rev: Id: 3/6

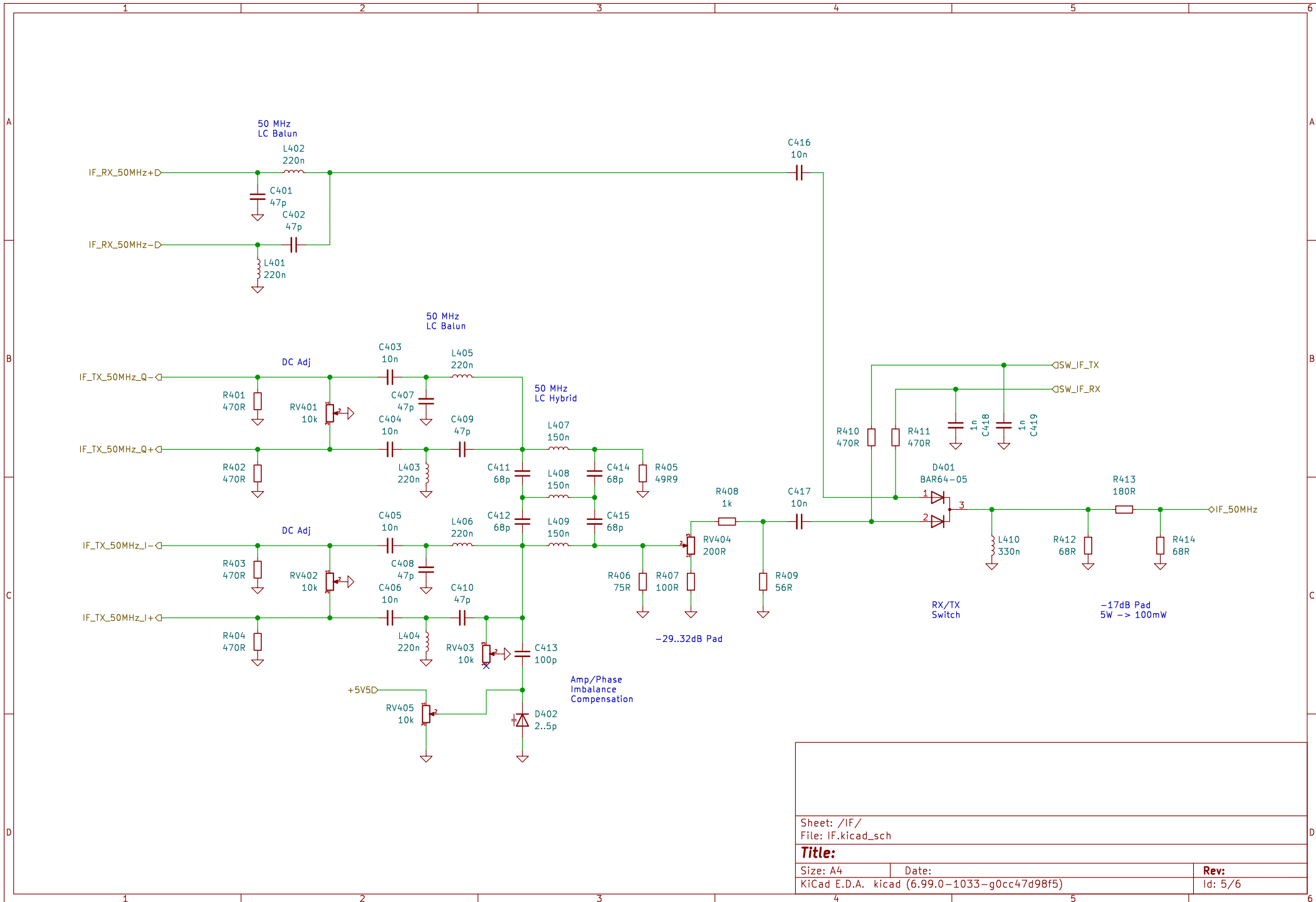


Sheet: /TRV-Interface/  
File: TRV.kicad\_sch

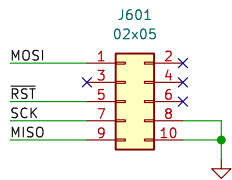
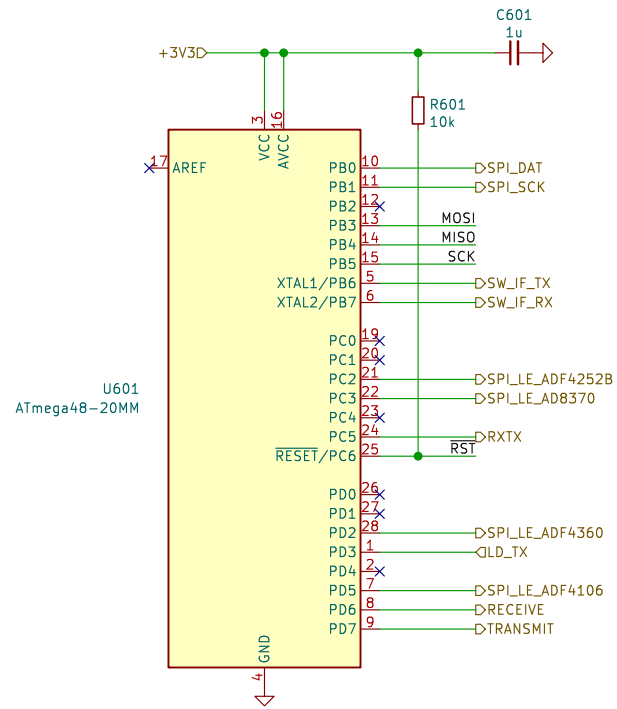
|  |       |
|--|-------|
| <b>Title:</b>                                |       |
| Size: A4                                     | Date: |
| KiCad E.D.A. kicad (6.99.0-1033-g0cc47d98f5) |       |
| Rev: Id: 4/6                                 |       |



|  |       |                    |         |
|--|-------|--------------------|---------|
| Sheet: /Power Supply/                        |       | File: PS.kicad_sch |         |
| <b>Title:</b>                                |       |                    |         |
| Size: A4                                     | Date: | Rev:               |         |
| KiCad E.D.A. kicad (6.99.0-1033-g0cc47d98f5) |       |                    | Id: 5/6 |



|  |       |                    |         |
|--|-------|--------------------|---------|
| Sheet: /IF/                                  |       | File: IF.kicad_sch |         |
| <b>Title:</b>                                |       |                    |         |
| Size: A4                                     | Date: |                    | Rev:    |
| KiCad E.D.A. kicad (6.99.0-1033-g0cc47d98f5) |       |                    | Id: 5/6 |



|  |       |         |
|--|-------|---------|
| Sheet: /Control/                             |       |         |
| File: MCU.kicad_sch                          |       |         |
| <b>Title:</b>                                |       |         |
| Size: A4                                     | Date: | Rev:    |
| KiCad E.D.A. kicad (6.99.0-1033-g0cc47d98f5) |       | Id: 6/6 |